

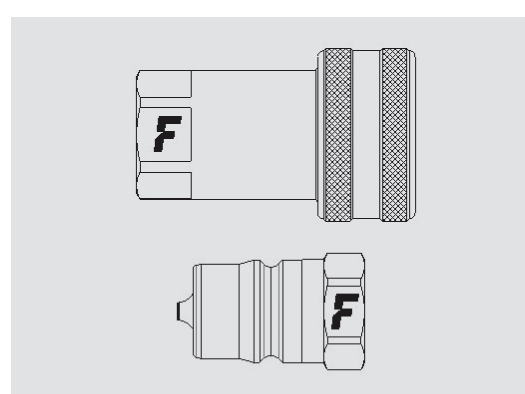
HNVN



Standard couplings for industrial applications, Japanese market interchange.

Standard couplings for industrial applications, interchangeable for Japanese market.

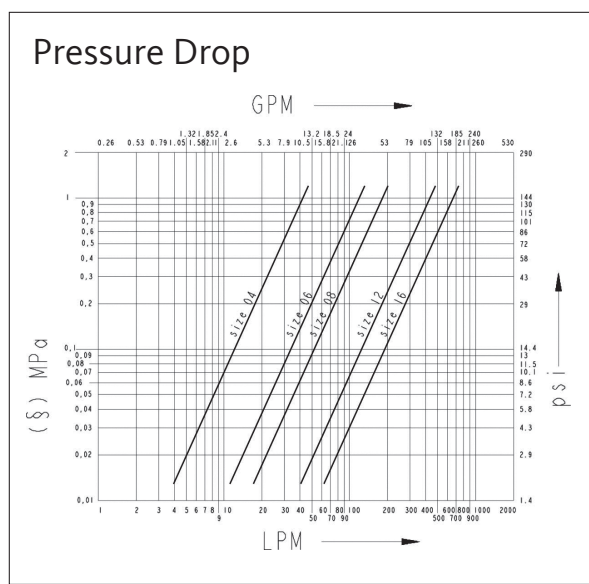
Applications



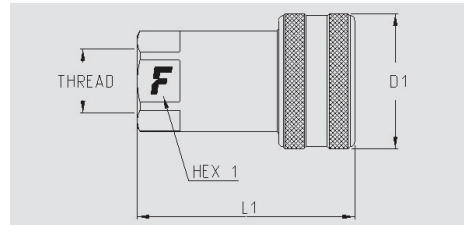
Technical Specifications

dash	Size		Working Pressure (MPa)	Flow Rate (l/min)	Spillage (ml)	Force to Connect (N)	Burst pressure (MPa)		
	mm	inch					Male	Female	Male + Female
04	6,3	1/4"	45	17	1	65	180	200	180
06	10	3/8"	30	50	1,5	85	130	120	180
08	12,5	1/2"	35	75	2,8	97	140	140	150

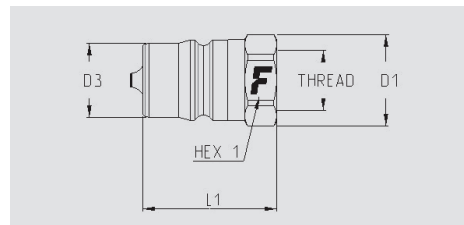
Material	Steel
Seals	NBR
Working temperatures	- 25 °C to + 125 °C
Surface treatment	MATE 500 (CrIII)
Series Interchange	MARKET
Valve Type	Poppet
Connection	Sleeve Retraction
Disconnection	Sleeve Retraction
Connection Under Pressure	Not Allowed



HNVN



Size		Thread details			FEMALE						
inch	mm	Thread Type	Standard	Thread	Part Number	L (L1 + Thread)		D1		HEX1	
						mm	inch	mm	inch	mm	inch
1/4"	6,3	F BSPP	ISO 1179-1	BSPP 1/4 FEMALE	HNVN 14 GAS F	51	2,01	28,2	1,11	19	0,75
1/4"	6,3	F JPT	UNI EN 10226-2	RC 1/4 FEMALE (JPT)	HNVN 14 JPT F	51	2,01	28,2	1,11	19	0,75
3/8"	10	F BSPP	ISO 1179-1	BSPP 3/8 FEMALE	HNVN 38 GAS F	64	2,52	35	1,38	24	0,94
1/2"	12,5	F BSPP	ISO 1179-1	BSPP 3/4 FEMALE	HNVN 12 GAS F	71	2,8	44	1,73	30	1,18
1/2"	12,5	F JPT	UNI EN 10226-2	RC 1/2 FEMALE (JPT)	HNVN 12 JPT F	71	2,8	44	1,73	30	1,18



Size		Thread details			MALE								
inch	mm	Thread Type	Standard	Thread	Part Number	L (L1 + Thread)		D1		D3		HEX1	
						mm	inch	mm	inch	mm	inch	mm	inch
1/4"	6,3	F BSPP	ISO 1179-1	BSPP 1/4 FEMALE	HNVN 14 GAS M	33	1,3	21	0,83	14,2	0,56	19	0,75
1/4"	6,3	F JPT	UNI EN 10226-2	RC 1/4 FEMALE (JPT)	HNVN 14 JPT M	33	1,3	21	0,83	14,2	0,56	19	0,75
3/8"	10	F BSPP	ISO 1179-1	BSPP 3/8 FEMALE	HNVN 38 GAS M	39	1,54	24,5	0,96	18,2	0,72	22	0,87
1/2"	12,5	F BSPP	ISO 1179-1	BSPP 3/4 FEMALE	HNVN 12 GAS M	44	1,73	30	1,18	24,3	0,96	27	1,06
1/2"	12,5	F JPT	UNI EN 10226-2	RC 1/2 FEMALE (JPT)	HNVN 12 JPT M	44	1,73	30	1,18	24,3	0,96	27	1,06

