

FFC

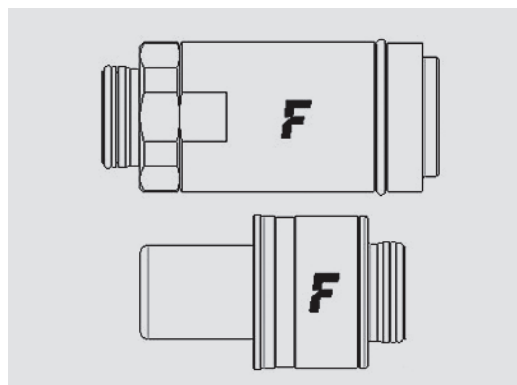


Flat face cartridge coupling, stainless steel.

Self-aligning flat face couplings for multiconnections. Misalignments up to ffl 0.5 mm and ffl 1° (angular) are automatically compensated during the connection. Stainless steel components (AISI 316) with Viton seals. Faster proprietary profile.



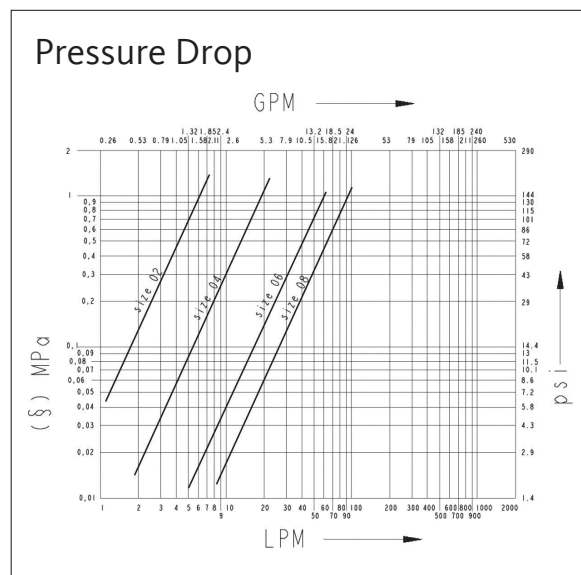
Applications



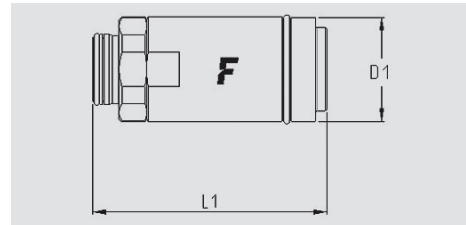
Technical Specifications

dash	Size		Working Pressure (MPa)	Flow Rate (l/min)	Spillage (ml)	Force to Connect (N)	Burst pressure (MPa)		
	mm	inch					Male	Female	Male + Female
02	3,2	1/8"	25	2,5	0,002	80	100	100	130
04	6,3	1/4"	32	8	0,002	80	150	90	130
06	10	3/8"	25	23	0,006	110	90	100	100
08	12,5	1/2"	45	35	0,006	185	140	80	180

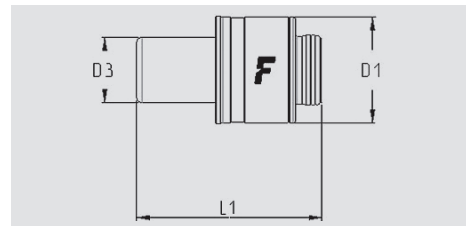
Material	Stainless Steel
Seals	VITON
Working temperatures	- 20 °C to +200 °C
Surface treatment	
Series Interchange	MARKET
Valve Type	Flat
Connection	Special
Disconnection	Special
Connection Under Pressure	Not Allowed



FFC



Size		Thread details			FEMALE						
inch	mm	Thread Type	Standard	Thread	Part Number	L (L1 + Thread)		D1		HEX1	
						mm	inch	mm	inch	mm	inch
1/4"	6,3				FFC14 F 2V	44,8	1,76	19	0,75		
3/8"	10				FFC38 F 2V	49,3	1,94	23,9	0,94		
1/2"	12,5				FFC12 F 2V	70,8	2,79	31,3	1,23		



Size		Thread details			MALE								
inch	mm	Thread Type	Standard	Thread	Part Number	L (L1 + Thread)		D1		D3		HEX1	
						mm	inch	mm	inch	mm	inch	mm	inch
1/4"	6,3				FFC14 M 2V	36	1,42	19,6	0,77	12,1	0,48		
3/8"	10				FFC38 M 2V	40,5	1,59	24,5	0,96	16,1	0,63		
1/2"	12,5				FFC12 M 2V	56	2,2	32,5	1,28	19,7	0,78		