

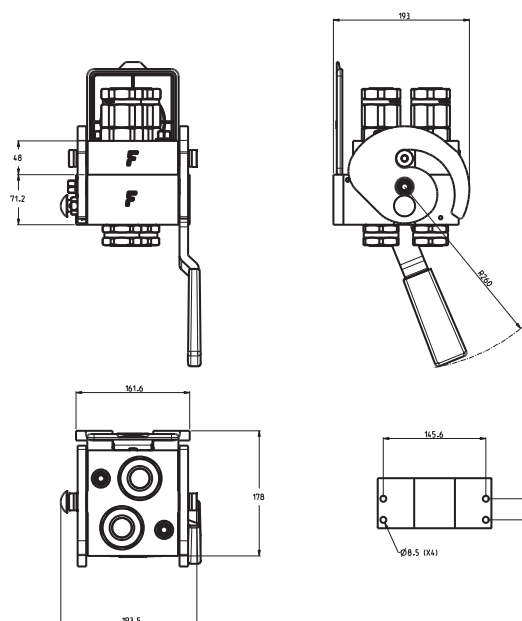
MF PH216 S

MultiFaster, high pressure version, 2 lines size 16.

New multi-connection system specifically designed to withstand high pressure applications (46 MPa). Equipped with 2 lines size 16. Black cathoporesis plates with Zn-Ni plated carbon steel handle and cams.



Applications



Technical Specifications

dash	Size		Working Pressure (MPa)	Flow Rate (l/min)	Spillage (ml)	Burst pressure (MPa)		
	mm	inch				Male	Female	Male + Female
16	25	1	46	150	0,03	138	138	

Material	Aluminium; Steel
Seals	NBR; PUR
Working temperatures	- 25 °C to + 100 °C
Surface treatment	MATE 1000 (ZnNi); Paint

Valve Type	Flat
Connection	Lever
Disconnection	Lever
Connection Under Pressure	Allowed Residual

PH216 S

Size					Thread Type					FIXED
dash	mm	inch	Housing	Number of Couplings	Thread Type	Standard	Thread	Electrical Connector N	Connector Type	Part Number
16	25	1	2	2	F BSPP	ISO 1179-1	BSPP 1" FEMALE			PH216S-2-1G F C

Size					Thread Type					MOBILE
dash	mm	inch	Housing	Number of Couplings	Thread Type	Standard	Thread	Electrical Connector N	Connector Type	Part Number
16	25	1	2	2	F BSPP	ISO 1179-1	BSPP 1" FEMALE			3PH216S-2-1G M C

