

# LSV6-16S-2 NCRP

2-Way,2-Position,Normally closed  
Poppet-type Solenoid Valve

## DESCRIPTION

A solenoid operated, 2-way, 2-position, normally closed, poppet-type cartridge valve with reverse flow energized.

## OPERATION

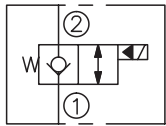
When de-energized, the valve acts as a check valve, allowing flow from ① to ②, while blocking flow from ② to ①.

When energized, the poppet lifts to open the ② to ① flow path. In this mode, flow is also allowed from ① to ②.

## Operation of Manual Override Option

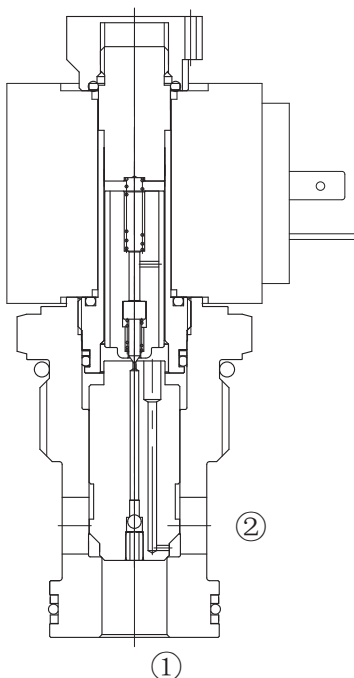
To override, push button in, twist counterclockwise 180° and release. In this position, the valve will remain open in a detented condition. To return to normal operation, push button in, twist clockwise 180° and release. Override will be detented in this position.

## SYMBOL

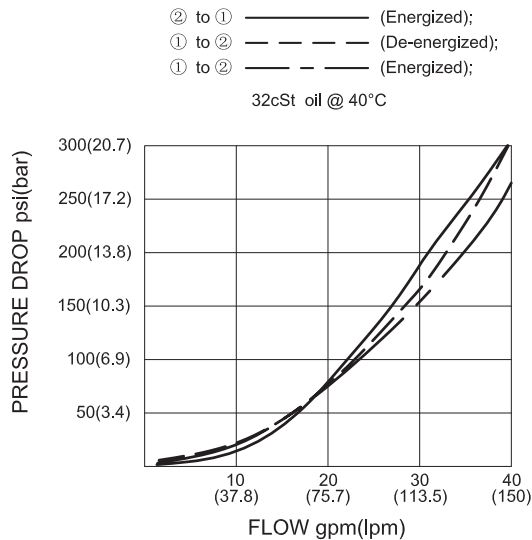


## SPECIFICATIONS

Max.Operating Pressure	350bar
Flow	See PRESSURE DROP VS.FLOW graph.
Internal Leakage	3 drops/min max. at 350bar
Temperature	-40°F to +212°F(-40°C to +100°C)
Coil Duty Rating	Continuous from 85% to 115% of nominal voltage
Filtration	See page N-1
Fluids	Mineral-based fluids with viscosities of 7.4 to 420 cSt.
Cavity	16S-2,See page M-4
Housing Material	Steel & Ductile iron rated to 350bar

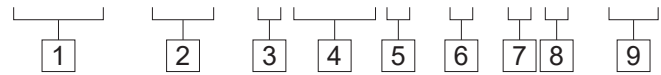


## PRESSURE DROP VS.FLOW



**TO ORDER**

**LSV6 – 16S – 2 NCR P – \* – \* \* – \* \***



<b>1 Function</b> LSV6=Solenoid Valve	<b>5 Type</b> P=Poppet	<b>8 Coil Connector Type</b> D= Double Lead ER= Deutsch Connector(Water-proof Coil) H= Hirschmann
<b>2 Size</b> 16S=16S Size	<b>6 Manual Override Options</b> Omit=None M=Manual Override	<b>9 Port Size</b> Omit=None 16T=SAE 16 8G=G 1
<b>3 Flow Path</b> 2=2-Way	<b>7 Coil Voltage</b> 1=12 VDC 2=24 VDC 3=110 VAC 4=220 VAC	
<b>4 Style</b> NCR=Normally Closed, Reverse Flow Energized		

※See page K-10 for detail of housing  
 ※Other port sizes are available

**INSTALLATION DIMENSIONS**

Coil Must Be Installed With Letter Up

Unit=Millimeters

