

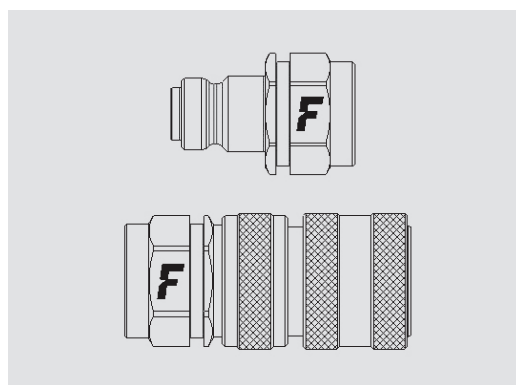
UHP 100



Couplings for Ultra High Pressure applications (100 MPa series).

UHP couplings are the most advanced Faster solution for hydraulic applications with ultra high working pressures of 100 MPa and more. Very robust and reliable, they are characterized by redundant visual and mechanical safety systems, and sector latching technology Faster patent that makes the couplings long-lasting and safe.

Applications

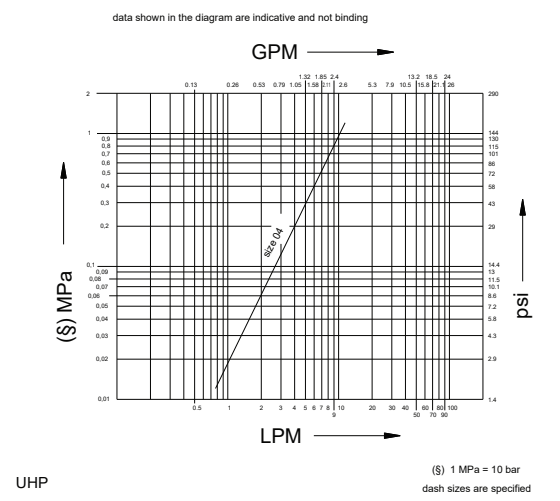


Technical Specifications

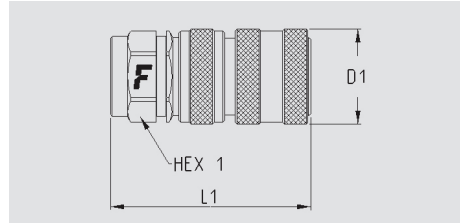
dash	Size		Working Pressure (MPa)	Flow Rate (l/min)	Spillage (ml)	Force to Connect (N)	Burst pressure (MPa)		
	mm	inch					Male	Female	Male + Female
04	63	1/4"	100	4	0,008	50	300	300	300

Material	Steel
Seals	NBR
Working temperatures	- 25 °C to + 100 °C
Surface treatment	CrIII & Zn-Ni
Series Interchange	MARKET
Valve Type	Poppet
Connection	Sleeve Retraction
Disconnection	Sleeve Retraction
Connection Under Pressure	Not Allowed

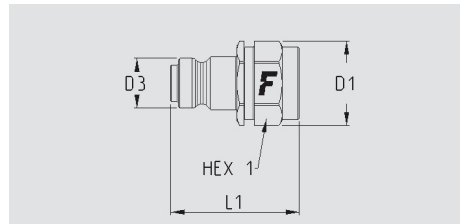
Pressure Drop



UHP 100



Size		Thread details			FEMALE						
inch	mm	Thread Type	Standard	Thread	Part Number	L (L1 + Thread)		D1		HEX1	
						mm	inch	mm	inch	mm	inch
1/4"	6,3	F NPTF	ANSI B1.20.3	NPTF 1/4 FEMALE	UHP100 14NPT F	59,3	2,3	28	1,1	24	0,9
1/4"	6,3	F BSP (Metal Sealing)	ISO 1179-1	BSP 1/4 FEMALE (Metal Sealing)	UHP100 14GMS F	62,3	2,4	28	1,1	24	0,9



Size		Thread details			MALE								
inch	mm	Thread Type	Standard	Thread	Part Number	L (L1 + Thread)		D1		D3		HEX1	
						mm	inch	mm	inch	mm	inch	mm	inch
1/4"	6,3	F NPTF	ANSI B1.20.3	NPTF 1/4 FEMALE	UHP100 14NPT M	38,3	1,5	25	1	14,8	5,8	22	0,9
1/4"	6,3	F BSP (Metal Sealing)	ISO 1179-1	BSP 1/4 FEMALE (Metal Sealing)	UHP100 14GMS M	39	1,5	25	1	14,8	5,8	22	0,9

PVC dust protection caps supplied together with the products

