

CVLS

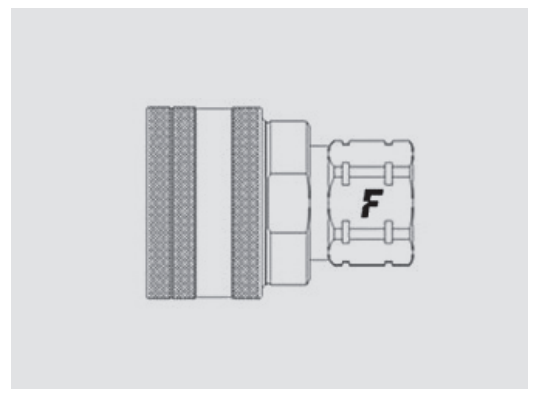


Screw-to-connect coupling, safety sleeve.

Screw-on male couplings suitable for general purpose applications. Connectable under residual pressure. High resistance to pressure and flow impulses. Equipped with an additional safety sleeve to prevent accidental disconnections provoked by vibrations. Interchangeable according to ISO 14541 standard.



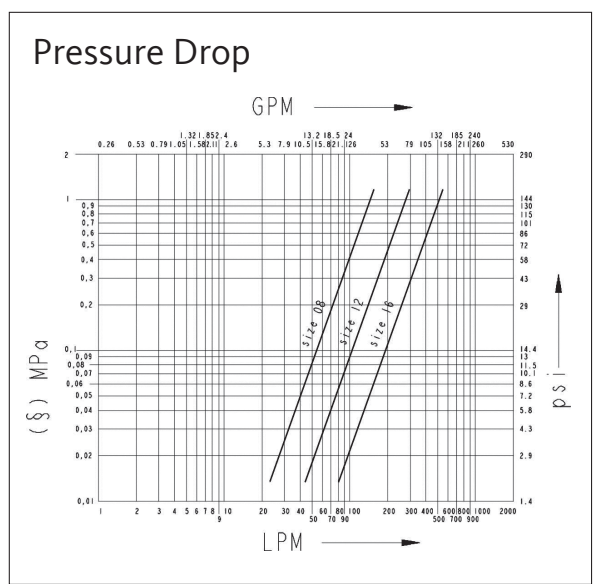
Applications

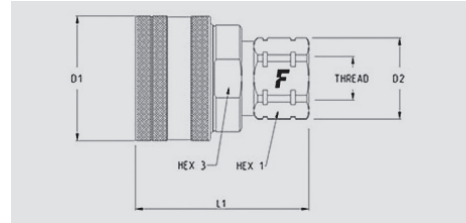


Technical Specifications

dash	Size		Working Pressure (MPa)	Flow Rate (l/min)	Spillage (ml)	Force to Connect (N)	Burst pressure (MPa)		
	mm	inch					Male	Female	Male + Female
08	12,5	1/2"	30	65	1,8		120		140
16	25	1"	27	205	13		110		140

Material	Steel
Seals	VITON
Working temperatures	- 20 °C to + 200 °C
Surface treatment	MATE 500 (CrIII)
Series Interchange	MARKET
Valve Type	Poppet
Connection	Screw to Connect
Disconnection	Unscrew to Disconnect
Connection Under Pressure	Allowed Residual





CVLS

Size		Thread details			MALE								
inch	mm	Thread Type	Standard	Thread	Part Number	L (L1 + Thread)		D1		D3		HEX1	
						mm	inch	mm	inch	mm	inch	mm	inch
1/2"	12,5	O/ SAE	ISO 11926-1	7/8"-14 UNF FEMALE ORB	CVLS080/58SAEMV	73	2,87	49	1,93			30	1,18
1"	25	11/ SAE	ISO 8434-3	1-11/16"-12 UN MALE ORFS	CVLS1611/114S M	96	3,78	69	2,72			45	1,77
1"	25	11/ SAE	ISO 8434-3	1-7/16"-12 UN MALE ORFS	CVLS1611/1SAE M	96	3,78	69	2,72			45	1,77
1"	25	F BSPP	ISO 1179-1	BSPP 3/4 FEMALE	CVLS16 34GAS MV	96	3,78	69	2,72			41	1,61

Accessories

Plastic dust caps



Plugs suitable for MALE

Size			Plug Details	
inch	mm	dash	Part number	Colour
1/2"	12,5	08	TFVV 08	red
3/4"	20	12	TFVV 12	red
1"	25	16	TFVV 16	red

Aluminium dust caps



Caps suitable for MALE

Size			Cap Details	
inch	mm	dash	Part number	Colour
1/2"	12,5	08	TFVV 08 S	
1"	25	16	TFVV 16 S	

