

4SRPV

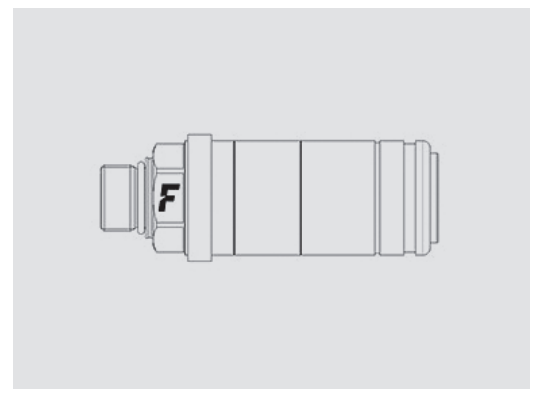


Push-pull female couplings for agriculture.

Push-pull couplings, connectable under residual pressure in both male and female side. Can be screwed directly into valve ports or rigid pipes. Breakaway function. ISO 7241-1 part A interchange.



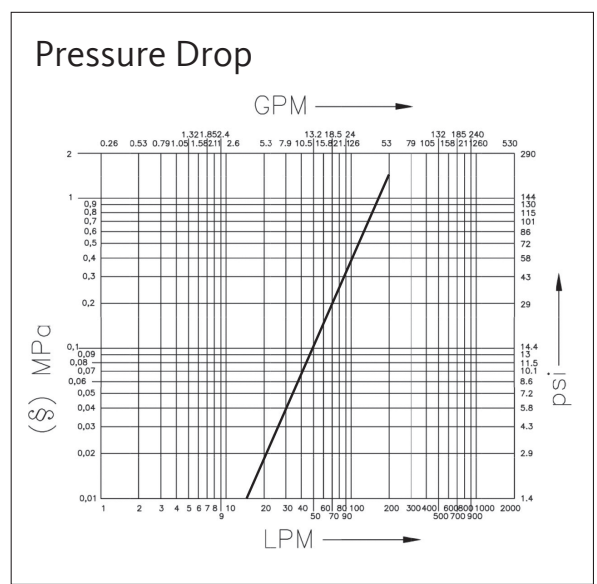
Applications

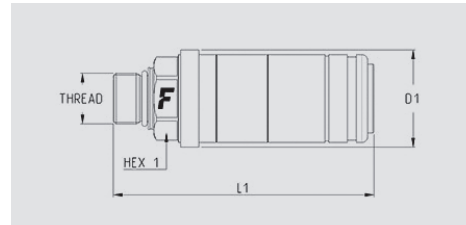


Technical Specifications

dash	Size		Working Pressure (MPa)	Flow Rate (l/min)	Spillage (ml)	Force to Connect (N)	Burst pressure (MPa)		
	mm	inch					Male	Female	Male + Female
08	12,5	1/2"	25	70	2	250	100	100	

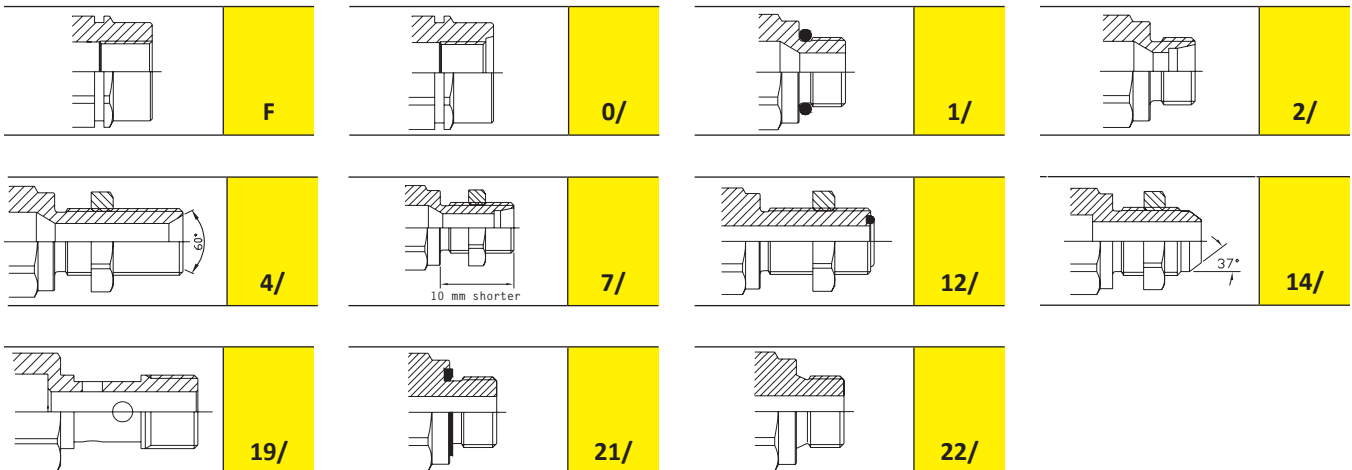
Material	Steel
Seals	HNBR
Working temperatures	- 25 °C to + 125 °C
Surface treatment	MATE 500 (CrIII)
Series Interchange	ISO 7241-A
Valve Type	Poppet
Connection	Push to Connect
Disconnection	Pull to Disconnect
Connection Under Pressure	Allowed Both Halves up to W.P.





4SRPV

Size		Thread details			FEMALE						
inch	mm	Thread Type	Standard	Thread	Part Number	L (L1 + Thread)		D1		HEX1	
						mm	inch	mm	inch	mm	inch
1/2"	12,5	0/ SAE	ISO 11926-1	3/4"-16 UNF FEMALE ORB	4SRPV08 12SF H	109	4,29	42	1,65	27	1,06
1/2"	12,5	01/ METRIC	ISO 6149-2	M22x1,5 MALE	4SRPV081/22F H	112,5	4,43	42	1,65	32	1,26
1/2"	12,5	04/ BSPP	ISO 8434-6	BSPP 1/2 MALE BULKHEAD	4SRPV084/12GF H	133	5,24	42	1,65	32	1,26
1/2"	12,5	04/ BSPP	ISO 8434-6	BSPP 3/8 MALE BULKHEAD	4SRPV084/38GF H	132,5	5,22	42	1,65	32	1,26
1/2"	12,5	04/ BSPP	ISO 8434-6	BSPP 5/8 MALE BULKHEAD	4SRPV084/58GF H	132,5	5,22	42	1,65	32	1,26
1/2"	12,5	07/ METRIC	ISO 8434-1-L	M18x1.5 MALE BULKHEAD SHORT 12L	4SRPV087/1815FH	124	4,88	42	1,65	32	1,26
1/2"	12,5	07/ METRIC	ISO 8434-1-L	M26x1.5 MALE BULKHEAD SHORT 18L	4SRPV087/2215FH	125,2	4,93	42	1,65	32	1,26
1/2"	12,5	12/ SAE	ISO 8434-3	1-3/16"-12 UN MALE BULKHEAD ORFS	4SRPV0812/34SFH	132	5,2	42	1,65	36	1,42
1/2"	12,5	14/ SAE	ISO 8434-2	7/8"-14 UNF MALE BULKHEAD JIC	4SRPV0814/58SFH	130,5	5,14	42	1,65	32	1,26
1/2"	12,5	19/ METRIC	DIN 7642	M22x1,5 MALE	4SRPV0819/22F H	136,5	5,37	42	1,65	32	1,26
1/2"	12,5	21/ METRIC	ISO 9974-2	M22x1,5 MALE	4SRPV081/22FUMC	111	4,37	42	1,65	32	1,26
1/2"	12,5	22/ BSPP	BS 5200	BSPP 3/8 MALE	4SRPV0822/38GFH	112	4,41	38	1,5	32	1,26
1/2"	12,5	F BSPP	ISO 1179-1	BSPP 1/2 FEMALE	4SRPV08 12GF H	109	4,29	42	1,65	27	1,06
1/2"	12,5	F NPTF	ANSI B1.20.3	NPTF 1/2 FEMALE	4SRPV08 12NF H	109	4,29	42	1,65	27	1,06

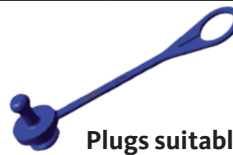


4SRPV accessories

PVC dust caps



Plugs suitable for FEMALE



Plugs suitable for FEMALE

Size			Plug Details		Size			Plug Details	
inch	mm	dash	Part number	Colour	inch	mm	dash	Part number	Colour
1/2"	12,5	08	TM 12 L	blue	1/2"	12,5	08	TM 12-38	blue
1/2"	12,5	08	TM 12 L/A	orange	1/2"	12,5	08	TM 12-38 G	yellow
1/2"	12,5	08	TM 12 L/G	yellow	1/2"	12,5	08	TM 12-38 GR	grey
1/2"	12,5	08	TM 12 L/M	brown	1/2"	12,5	08	TM 12-38 M	brown
1/2"	12,5	08	TM 12 L/N	black	1/2"	12,5	08	TM 12-38 N	black
1/2"	12,5	08	TM 12 L/R	red	1/2"	12,5	08	TM 12-38 R	red
1/2"	12,5	08	TM 12 L/V	green	1/2"	12,5	08	TM 12-38 V	green

Aluminium dust caps



Plugs suitable for FEMALE

Size			Plug Details	
inch	mm	dash	Part number	Colour
1/2"	12,5	08	TM 12 S	

4SRPV accessories

Acetal Resin (POM) dust caps



Caps suitable for FEMALE

Size			Cap Details	
inch	mm	dash	Part number	Colour
1/2"	12,5	08	TA 12	blue
1/2"	12,5	08	TA 12 G	yellow
1/2"	12,5	08	TA 12 G UV	yellow
1/2"	12,5	08	TA 12 GR	grey
1/2"	12,5	08	TA 12 M	brown
1/2"	12,5	08	TA 12 M UV	brown
1/2"	12,5	08	TA 12 N	black
1/2"	12,5	08	TA 12 N UV	black
1/2"	12,5	08	TA 12 R	red
1/2"	12,5	08	TA 12 R UV	red
1/2"	12,5	08	TA 12 UV	blue
1/2"	12,5	08	TA 12 V	green
1/2"	12,5	08	TA 12 V UV	green
1/2"	12,5	08	TAID 12 N	Black automatic cap with possibility to identify the lines with a plastic ID, having different colors and +/- information. To order this cap and the ID, please contact Faster

To order modular automatic caps with oil collecting system, please, contact Faster.

Seal Kits



For Female

Size			Seal Details	
inch	mm	dash	Material	Part Number
1/2"	12,5	08	HNBR; PTFE	KIT AE12S+OR12H

Every seals kit is composed of 5 or 10 pcs.