

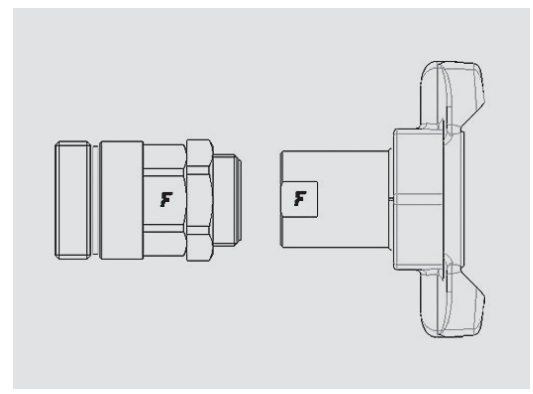
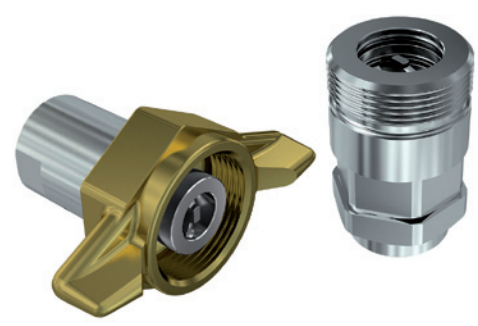
# CVE



## Screw-to-connect couplings for road machines applications.

Couplings designed for the transport industry. Composed by a screw-on sleeve (brass) and wings nuts with hexagon shape.

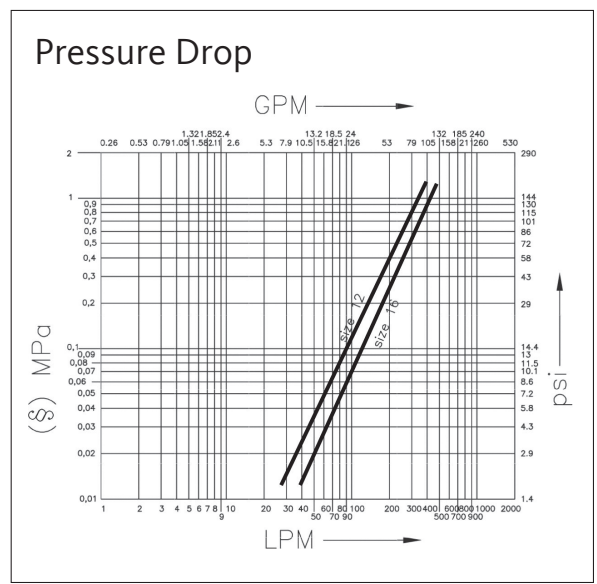
## Applications



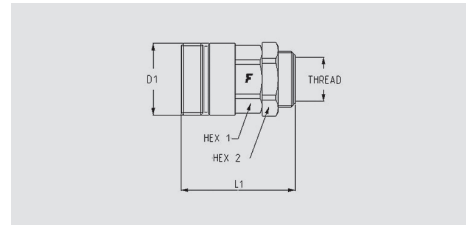
## Technical Specifications

dash	Size		Working Pressure (MPa)	Flow Rate (l/min)	Spillage (ml)	Force to Connect (N)	Burst pressure (MPa)		
	mm	inch					Male	Female	Male + Female
12	20	3/4"	36	120	10	0	110	130	130
16	25	1"	30	160	15	0	120	90	130

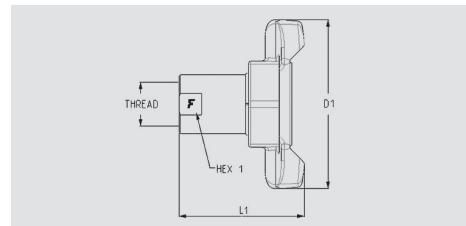
Material	<b>Steel</b>
Seals	<b>NBR</b>
Working temperatures	<b>- 25 °C to + 125 °C</b>
Surface treatment	<b>MATE 500 (CrIII)</b>
Series Interchange	<b>MARKET</b>
Valve Type	<b>Poppet</b>
Connection	<b>Screw to Connect</b>
Disconnection	<b>Unscrew to Disconnect</b>
Connection Under Pressure	<b>Allowed Residual</b>



**CVE**



Size		Thread details			FEMALE						
inch	mm	Thread Type	Standard	Thread	Part Number	L (L1 + Thread)		D1		HEX1	
						mm	inch	mm	inch	mm	inch
3/4"	20	F BSPP	ISO 1179-1	BSPP 3/4 FEMALE	CVE 34 GAS F	78	3,07	51	2,01	46	1,81
1"	25	F BSPP	ISO 1179-1	BSPP 1 FEMALE	CVE 1 GAS F	85	3,35	54	2,13	46	1,81



Size		Thread details			MALE								
inch	mm	Thread Type	Standard	Thread	Part Number	L (L1 + Thread)		D1		D3		HEX1	
						mm	inch	mm	inch	mm	inch	mm	inch
3/4"	20	F BSPP	ISO 1179-1	BSPP 3/4 FEMALE	CVE 34 GAS M	84	3,31	100	3,94			34	1,34
1"	25	F BSPP	ISO 1179-1	BSPP 1 FEMALE	CVE 1 GAS M	94,4	3,72	127	5			41	1,61

**Accessories**

**Aluminium dust caps**



**Caps suitable for FEMALE**



**Caps suitable for MALE**

Size		Cap Details			Size		Cap Details		
inch	mm	dash	Part number	Colour	inch	mm	dash	Part number	Colour
3/4"	20	12	TMCVE 34 S		3/4"	20	12	TFCVE 34 S	
3/4"	20	12	TMCVE 34 S		3/4"	20	12	TFCVE 34 S	
1"	25	16	TMCVE 1 S		1"	25	16	TFCVE 1 S	

