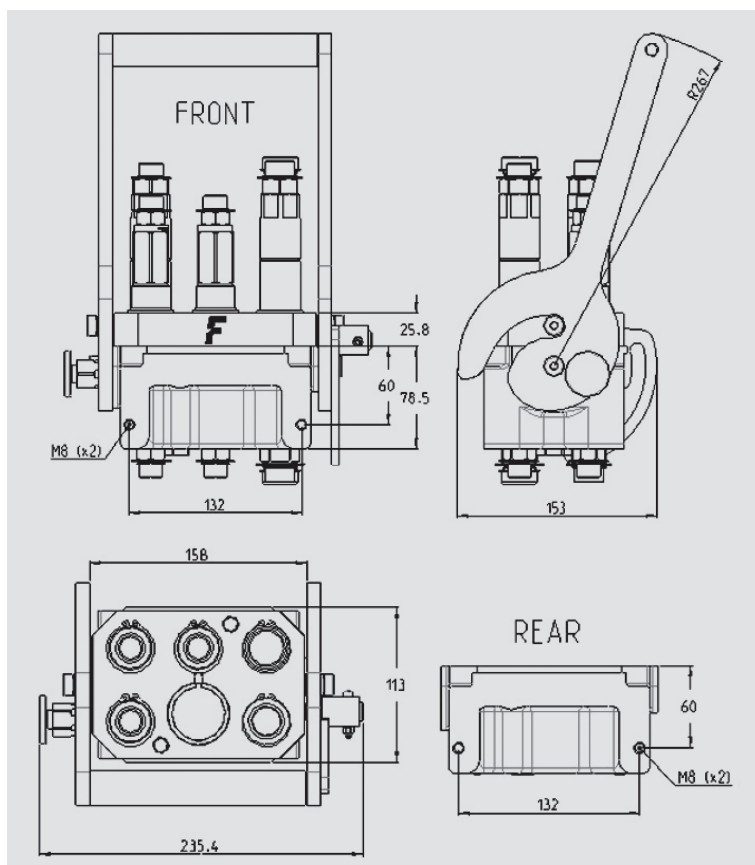


# PLK



Multifaster for harvesting application, 2 lines size 06,  
3 lines size 09.

## Applications



## Technical Specifications

dash	Size		Working Pressure (MPa)	Flow Rate (l/min)	Spillage (ml)	Burst pressure (MPa)		
	mm	inch				Male	Female	Male + Female
06	10	3/8"	25	20	0,02	100	69	88
09	14,3	9/16"	25	35	0,02	100	69	88

Material	Cast Iron; Steel	Valve Type	Flat
Seals	NBR; PUR	Connection	Lever
Working temperatures	- 25 °C to 100 °C	Disconnection	Lever
Surface treatment	MATE 500 (CrIII)	Connection Under Pressure	Allowed Male Half up to W.P.

# PLK

Size					Thread Type					FIXED
dash	mm	inch	Housing	Number of Couplings	Thread Type	Standard	Thread	Electrical Connector N	Connector Type	Part Number
06	10	3/8"	6	2	11/ SAE	ISO 8434-3	11/16"-16 UN MALE ORFS			3PLK-0-5-A F C
09	14,3	9/16"		1	11/ SAE	ISO 8434-3	11/16"-16 UN MALE ORFS			
				1			13/16"-16 UN MALE ORFS			
				1			1"-14 UNS MALE ORFS			

Size					Thread Type					MOBILE
dash	mm	inch	Housing	Number of Couplings	Thread Type	Standard	Thread	Electrical Connector N	Connector Type	Part Number
06	10	3/8"	6	3	11/ SAE	ISO 8434-3	11/16"-16 UN MALE ORFS			3PLK-0-5-A M C
09	14,3	9/16"		1	11/ SAE	ISO 8434-3	13/16"-16 UN MALE ORFS			
				1			1"-14 UNS MALE ORFS			
06	10	3/8"	6	2	0/ SAE	ISO 11926-1	3/4"-16 UNF MALE ORFS			3PLK-0-2-C M C
09	14,3	9/16"		0						
06	10	3/8"	6	0						3PLK-0-2-B M C
09	14,3	9/16"		1	11/ SAE	ISO 8434-3	13/16"-16 UN MALE ORFS			
				1			1"-14 UNS MALE ORFS			
06	10	3/8"	6	2	11/ SAE	ISO 8434-3	11/16"-16 UN MALE ORFS			3PLK-0-2-A M C
09	14,3	9/16"		0						

