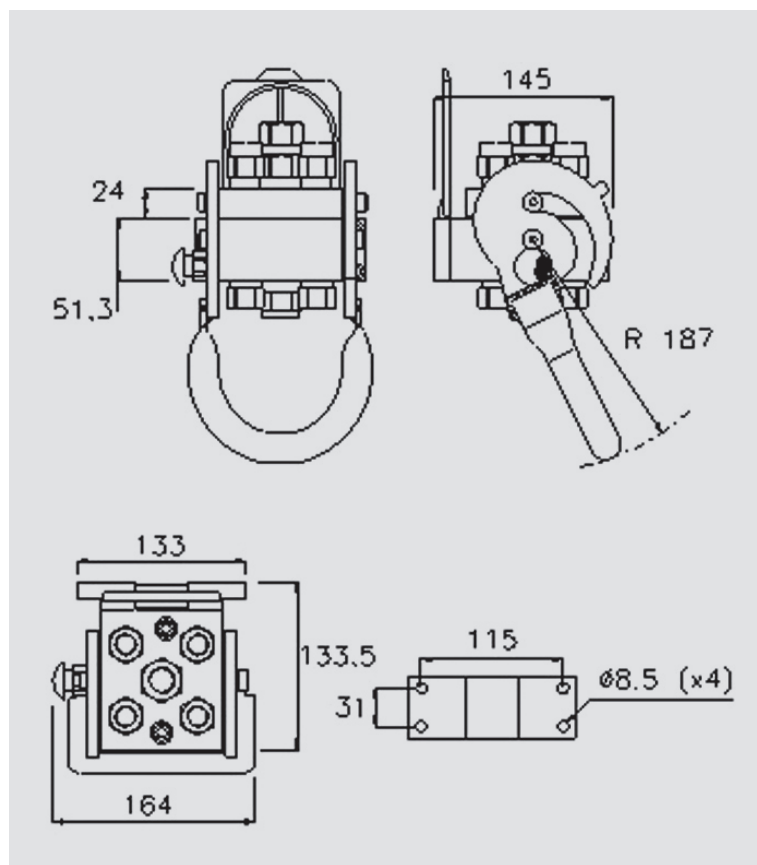


P506-x



Multifaster 5 lines (4 lines o6 and 1 line o8).
The line o8 can be replaced by an electrical connector.

Applications



Technical Specifications

dash	Size		Working Pressure (MPa)	Flow Rate (l/min)	Spillage (ml)	Burst pressure (MPa)		
	mm	inch				Male	Female	Male + Female
06	10	3/8"	25	40	0,008	100	100	100
08	12,5	1/2"	25	70	0,01	100	100	100

Material	Aluminium; Steel	Valve Type	Flat
Seals	NBR; PUR	Connection	Lever
Working temperatures	- 25 °C to 100 °C	Disconnection	Lever
Surface treatment	MATE 500 (CrIII); Paint	Connection Under Pressure	Allowed Residual

P506-x

Size					Thread Type					FIXED
dash	mm	inch	Housing	Number of Couplings	Thread Type	Standard	Thread	Electrical Connector N	Connector Type	Part Number
06	10	3/8"	5	4	F BSPP	ISO 1179-2	BSPP 3/8" FEMALE			2P506-A-4-38GFC
08	12,5	1/2"		0				1	7 PINS	
06	10	3/8"	5	4	F BSPP	ISO 1179-1	BSPP 3/8" FEMALE			2P506-1-4-38GFC
08	12,5	1/2"		0				1	3 PINS	
06	10	3/8"	5	4	F BSPP	ISO 1179-1	BSPP 3/8" FEMALE			2P506-0-5-S0 FC
08	12,5	1/2"		1	F BSPP	ISO 1179-1	BSPP 1/2" FEMALE			
06	10	3/8"	5	4	F BSPP	ISO 1179-1	BSPP 3/8" FEMALE			2P506-0-4-D F C
08	12,5	1/2"		0						
06	10	3/8"	5	4	O2/ METRIC	ISO 8434-1-L	M22x1,5 MALE 15L			2P506-1-4-2/2FC
08	12,5	1/2"		0				1	3 PINS	
06	10	3/8"	5	4	O2/ METRIC	ISO 8434-1-L	M22x1,5 MALE 15L			2P506-A-4-2/2FC
08	12,5	1/2"		0				1	7 PINS	
06	10	3/8"	5	4	O2/METRIC	ISO 8434-1-L	M22x1,5 MALE 15L			2P506-0-5-S4 FC
08	12,5	1/2"		1	O2/METRIC	ISO 8434-1-L	M22x1,5 MALE 15L			
06	10	3/8"	5	4	F BSPP	ISO 1179-1	BSPP 1/2" FEMALE			2P506-1-4-12GFC
08	12,5	1/2"		0				1	3 PINS	
06	10	3/8"	5	4	O2/ METRIC	ISO 8434-1-L	M22x1,5 MALE 15L			2P506-1-4-2/2MC
08	12,5	1/2"		0				1	3 PINS	
06	10	3/8"	5	4	O2/ METRIC	ISO 8434-1-L	M22x1,5 MALE 15L			2P506-1-4-2/2FC
08	12,5	1/2"		0				1	3 PINS	

Size					Thread Type					MOBILE
dash	mm	inch	Housing	Number of Couplings	Thread Type	Standard	Thread	Electrical Connector N	Connector Type	Part Number
06	10	3/8"	5	4	F BSPP	ISO 1179-1	BSPP 3/8" FEMALE			3P506-A-4-38GMC
08	12,5	1/2"		0				1	7 PINS	
06	10	3/8"	5	4	F BSPP	ISO 1179-1	BSPP 3/8" FEMALE			2P506-A-4-38GMC
08	12,5	1/2"		0				1	7 PINS	
06	10	3/8"	5	4	F BSPP	ISO 1179-1	BSPP 3/8" FEMALE			2P506-1-4-38GMC
08	12,5	1/2"		0				1	3 PINS	
06	10	3/8"	5	4	F BSPP	ISO 1179-1	BSPP 3/8" FEMALE			2P506-0-5-S0 MC
08	12,5	1/2"		1	F BSPP	ISO 1179-1	BSPP 1/2" FEMALE			
06	10	3/8"	5	4	O2/ METRIC	ISO 8434-1-L	M22x1,5 MALE 15L			2P506-0-4-2/2MC
08	12,5	1/2"		0						
06	10	3/8"	5	4	O2/ METRIC	ISO 8434-1-L	M22x1,5 MALE 15L			2P506-0-5-S4 MC
08	12,5	1/2"		1	O2/ METRIC	ISO 8434-1-L	M22x1,5 MALE 15L			

